

GUHRING

The Tool Company

BT TAPER SHRINK FIT AND HYDRAULIC TOOL HOLDERS

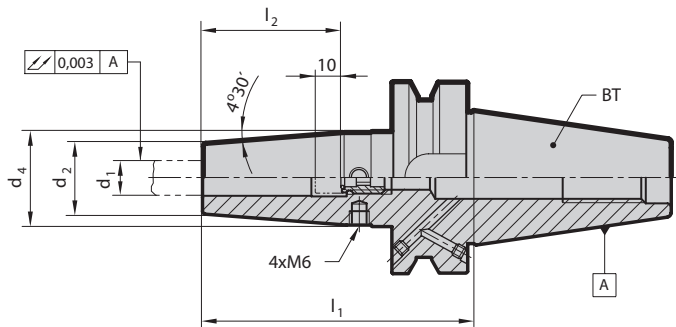


Product information

- Balancing quality G6.3 / 15,000 rev./min
- Incl. balancing thread 4xM6 / 6xM6
- MAS/BT to JIS B 6339 form AD/B
(*: version AD without coolant supply through flange)
- For tool shank tolerance h6

Scope of delivery

- Incl. setting screw Guhring no. 4977 bzw. 4904
- Order pull studs Guhring no. 4927, 4928 separately
- Special dimensions on request



Series Number **4739**

BT	clamping dia. d1 in h6 inch/mm	d ₂ mm	d ₄ mm	l ₁ mm	l ₂ mm	incl. setting screw Guh. no. Code no.		Code no.	EDP Numbers
30*	3.0	10.0	18.0	80.0	30.0	4904	5.016	3,030	9047390030300
30*	4.0	10.0	18.0	80.0	35.0	4904	6.016	4,030	9047390040300
30*	5.0	10.0	18.0	80.0	40.0	4904	8.018	5,030	9047390050300
30*	6.0	21.0	27.0	80.0	36.0	4977	6.014	6,030	9047390060300
30*	8.0	21.0	27.0	80.0	36.0	4977	8.014	8,030	9047390080300
30*	10.0	24.0	32.0	80.0	41.0	4977	10.014	10,030	9047390100300
30*	12.0	24.0	32.0	80.0	46.0	4977	12.014	12,030	9047390120300
30*	14.0	27.0	34.0	80.0	46.0	4977	12.014	14,030	9047390140300
30*	16.0	27.0	34.0	80.0	49.0	4977	16.014	16,030	9047390160300
30*	18.0	33.0	42.0	90.0	49.0	4977	16.014	18,030	9047390180300
30*	20.0	33.0	42.0	90.0	51.0	4977	20.114	20,030	9047390200300
30*	1/8" ID (Ø 3,170)	10.0	18.0	80.0	34.0	4904	5.016	103.030	9047391030300
30*	3/16" ID (Ø 4,760)	10.0	18.0	80.0	34.0	4904	8.018	104.030	9047391040300
30*	1/4" ID (Ø 6,350)	21.0	27.0	80.0	36.0	4977	6.014	106.030	9047391060300
30*	5/16" ID (Ø 7,940)	21.0	27.0	80.0	36.0	4977	8.014	107.030	9047391070300
30*	3/8" ID (Ø 9,520)	24.0	32.0	80.0	41.0	4977	8.014	109.030	9047391090300
30*	1/2" ID (Ø 12,700)	24.0	34.0	80.0	46.0	4977	12.014	112.030	9047391120300
30*	5/8" ID (Ø 15,870)	27.0	34.0	80.0	49.0	4977	16.014	115.030	9047391150300
30*	3/4" ID (Ø 19,050)	33.0	42.0	90.0	51.0	4977	16.014	119.030	9047391190300
40	3.0	10.0	18.0	85.0	30.0	4904	5.016	3,040	9047390030400
40	4.0	10.0	18.0	85.0	35.0	4904	6.016	4,040	9047390040400
40	5.0	10.0	18.0	85.0	40.0	4904	8.018	5,040	9047390050400
40	6.0	21.0	27.0	90.0	36.0	4977	6.014	6,040	9047390060400
40	8.0	21.0	27.0	90.0	36.0	4977	8.014	8,040	9047390080400
40	10.0	24.0	32.0	90.0	41.0	4977	10.014	10,040	9047390100400
40	12.0	24.0	32.0	90.0	46.0	4977	12.014	12,040	9047390120400
40	14.0	27.0	34.0	90.0	46.0	4977	12.014	14,040	9047390140400
40	16.0	27.0	34.0	90.0	49.0	4977	16.014	16,040	9047390160400
40	18.0	33.0	42.0	90.0	49.0	4977	16.014	18,040	9047390180400
40	20.0	33.0	42.0	90.0	51.0	4977	20.114	20,040	9047390200400
40	25.0	44.0	53.0	100.0	57.0	4977	20.114	25,040	9047390250400
40	32.0	44.0	53.0	100.0	61.0	4977	20.114	32,040	9047390320400
40	6.0	21.0	27.0	130.0	36.0	4977	6.014	6,140	9047390061400
40	8.0	24.0	32.0	130.0	41.0	4977	8.014	8,140	9047390081400
40	10.0	24.0	32.0	130.0	46.0	4977	10.014	10,140	9047390101400
40	12.0	27.0	34.0	130.0	46.0	4977	12.014	12,140	9047390121400
40	14.0	27.0	34.0	130.0	49.0	4977	12.014	14,140	9047390141400
40	16.0	33.0	42.0	130.0	49.0	4977	16.014	16,140	9047390161400
40	18.0	33.0	42.0	130.0	51.0	4977	16.014	18,140	9047390181400
40	20.0	44.0	53.0	130.0	57.0	4977	20.114	20,140	9047390201400
40	25.0	44.0	53.0	130.0	58.0	4977	20.114	25,140	9047390251400
40	32.0	44.0	53.0	130.0	61.0	4977	20.114	32,140	9047390321400

Product information

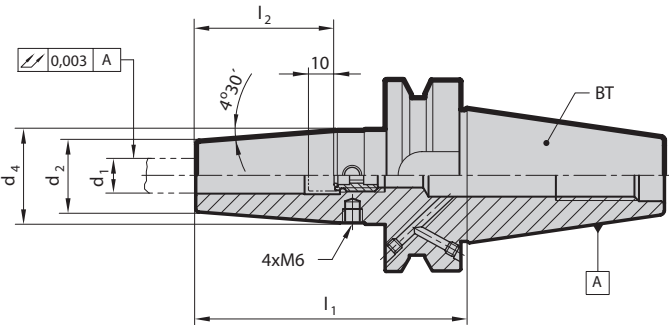
- Balancing quality G6.3 / 15,000 rev./min
- Incl. balancing thread 4xM6 / 6xM6
- MAS/BT to JIS B 6339 form AD/B (*: version AD without coolant supply through flange)
- For tool shank tolerance h6

Scope of delivery

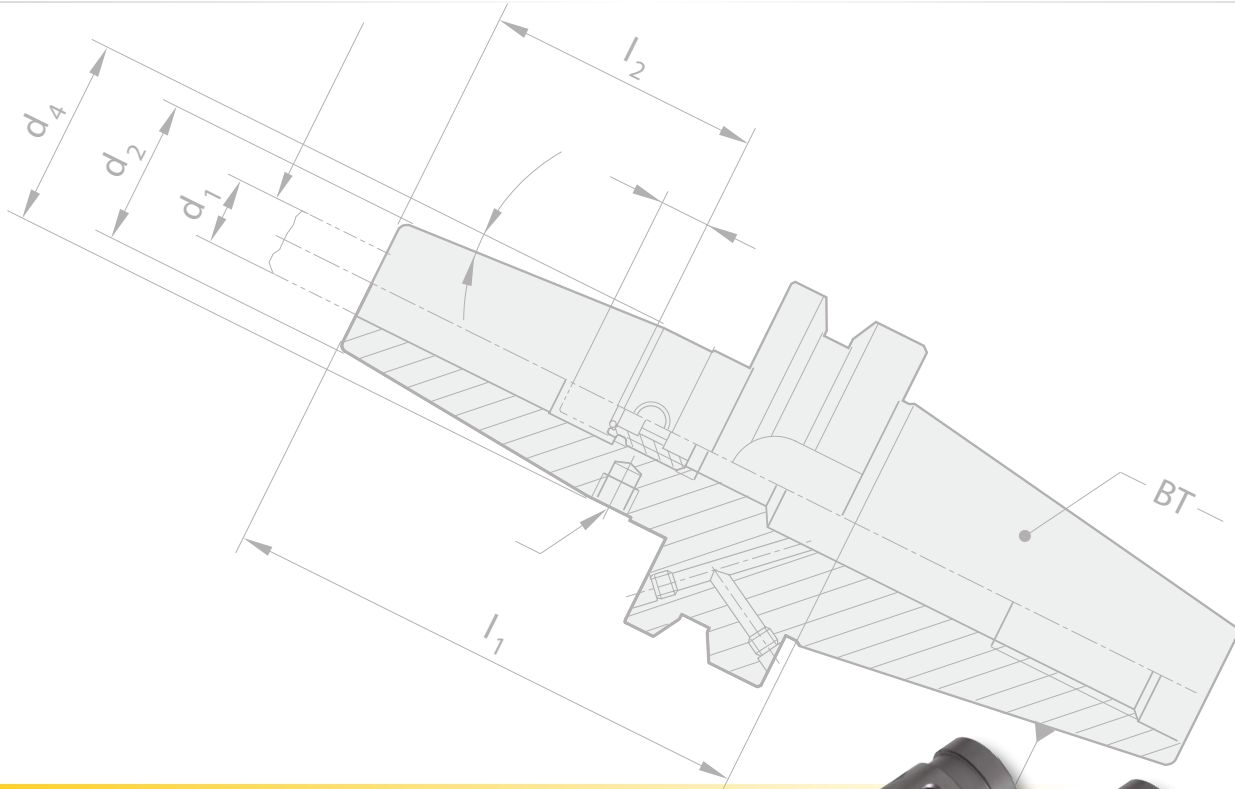
- Incl. setting screw Guhring no. 4977 bzw. 4904
- Order pull studs Guhring no. 4927, 4928 separately
- Special dimensions on request



Series Number **4739**



BT	clamping dia. d1 in h6 inch/mm	d ₂ mm	d ₄ mm	l ₁ mm	l ₂ mm	incl. setting screw Guh. no. Code no.		Code no.	EDP Numbers
50	6.0	21.0	27.0	100.0	36.0	4977	6.014	6,050	9047390060500
50	8.0	21.0	27.0	100.0	36.0	4977	8.014	8,050	9047390080500
50	10.0	24.0	32.0	100.0	41.0	4977	10.014	10,050	9047390100500
50	12.0	24.0	32.0	100.0	46.0	4977	12.014	12,050	9047390120500
50	14.0	27.0	34.0	100.0	46.0	4977	12.014	14,050	9047390140500
50	16.0	27.0	34.0	100.0	49.0	4977	16.014	16,050	9047390160500
50	18.0	33.0	42.0	100.0	49.0	4977	16.014	18,050	9047390180500
50	20.0	33.0	42.0	100.0	51.0	4977	20.114	20,050	9047390200500
50	25.0	44.0	53.0	110.0	57.0	4977	20.114	25,050	9047390250500
50	32.0	44.0	53.0	110.0	61.0	4977	20.114	32,050	9047390320500



Guhring has a full line of reduction sleeves for hydraulic chucks. To see the full line, complete with sizes, go to **www.guhring.com** and search for the GM300 catalog.

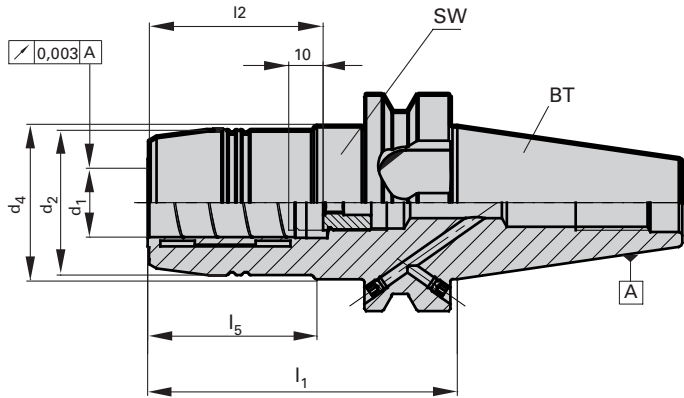


Product information

- Balancing quality: G6.3 / 15,000 rev./min
- Axial length setting
- Max. deviation f. concentricity 3 µm
- For tool shank tolerance h6
- MAS/BT to JIS B 6339 form AD/B
(*: version AD without coolant supply through flange)

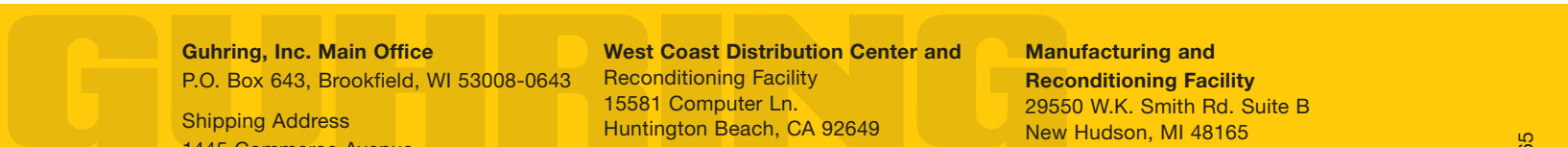
Scope of delivery

- Incl. adjustment screw Guhring no. 4900
- Incl. hexagon chuck key Guhring no. 4912
- Order pull studs Guhring no. 4927, 4928 separately



Series Number 4221

BT	clamping dia. d1 in h6 inch/mm	d ₂ mm	d ₄ mm	l ₁ mm	l ₂ mm	l ₅ mm	incl. setting screw Guh. no. 4900 Code no.	Code no.	EDP Numbers
30*	6.0	26.0	-	51.0	37.0	18.0	6.014	6,030	9042210060300
30*	8.0	28.0	-	51.0	37.0	18.5	12.014	8,030	9042210080300
30*	10.0	30.0	-	51.0	41.0	19.0	10.014	10,030	9042210100300
30*	12.0	32.0	-	51.0	46.0	19.5	12.014	12,030	9042210120300
30*	16.0	38.0	-	90.0	49.0	50.0	16.014	16,030	9042210160300
30*	20.0	42.0	-	90.0	51.0	50.0	20.114	20,030	9042210200300
30*	1/4" ID (Ø 6,350)	26.0	-	75.0	37.0	18.0	6.014	106,030	9042211060300
30*	3/8" ID (Ø 9,520)	30.0	-	80.0	41.0	19.0	8.014	109,030	9042211090300
30*	1/2" ID (Ø 12,700)	32.0	-	90.0	46.0	19.5	12.014	112,030	9042211120300
30*	5/8" ID (Ø 15,870)	38.0	-	90.0	49.0	50.0	16.014	115,030	9042211150300
30*	3/4" ID (Ø 19,050)	42.0	-	90.0	51.0	50.0	16.014	119,030	9042211190300
40	6.0	26.0	44.5	90.0	37.0	43.0	6.014	6,040	9042210060400
40	8.0	28.0	44.5	90.0	37.0	44.5	8.014	8,040	9042210080400
40	10.0	30.0	44.5	90.0	41.0	44.5	10.014	10,040	9042210100400
40	12.0	32.0	44.5	90.0	46.0	44.5	12.014	12,040	9042210120400
40	14.0	34.0	44.5	90.0	46.0	44.5	12.014	14,040	9042210140400
40	16.0	38.0	44.5	90.0	49.0	47.5	16.014	16,040	9042210160400
40	18.0	40.0	49.5	90.0	49.0	47.5	16.014	18,040	9042210180400
40	20.0	-	49.5	72.5	51.0	-	20.114	20,040	9042210200400
40	20.0	42.0	44.5	90.0	51.0	47.5	20.114	20,140	9042210201400
40	25.0	49.5	49.5	83.0	57.0	-	20.114	25,040	9042210250400
40	32.0	63.0	80.0	83.0	61.0	25.5	20.114	32,040	9042210320400
50	12.0	32.0	44.5	90.0	46.0	34.0	12.014	12,050	9042210120500
50	20.0	42.0	44.5	90.0	51.0	34.0	20.114	20,050	9042210200500
50	32.0	-	72.0	90.0	61.0	-	20.114	32,050	9042210320500



Guhring, Inc. Main Office
P.O. Box 643, Brookfield, WI 53008-0643
Shipping Address
1445 Commerce Avenue
Brookfield, WI 53045
Tel (262) 784-6730 (800) 776-6170
Fax (262) 784-9096

**West Coast Distribution Center and
Reconditioning Facility**
15581 Computer Ln.
Huntington Beach, CA 92649

Reconditioning Facility
121 W. Dudley Town Rd.
Bloomfield, CT 06002

**Manufacturing and
Reconditioning Facility**
29550 W.K. Smith Rd. Suite B
New Hudson, MI 48165

Guhring Corporation
20 Steckle Place, Unit #14
Kitchener, ON N2E 2C3
Tel (519) 748-9664 (800) 463-5555
Fax (519) 748-2954